

TDXXXX06 | Cup Holder Mounting Pedestal



TDXXXX06

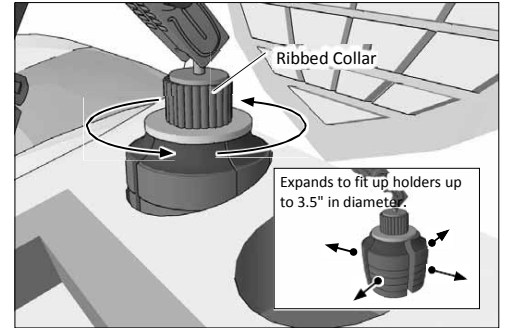
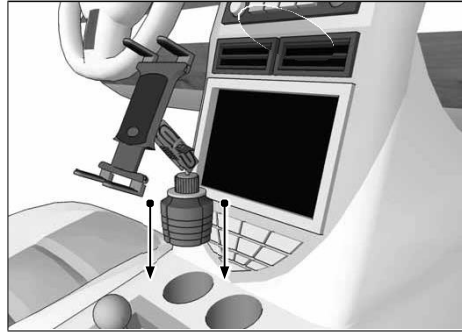
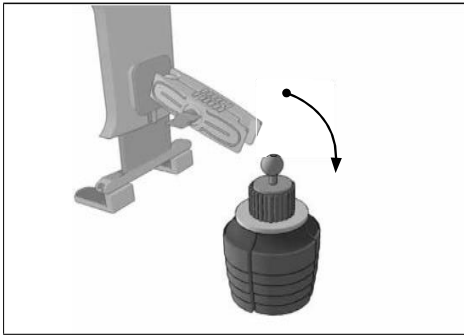
Package Contents:

(1) TDXXXX06 – Cup Holder Mounting Pedestal

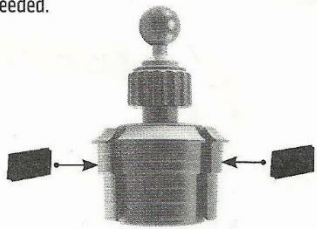
1. Attach 25mm compatible holder or adapter (not included)

2. Insert mounting pedestal into vehicle cup holder.

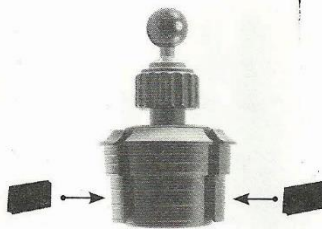
3. Twist ribbed collar counterclockwise to expand base to fit cup holder. Expands to fit cup holders up to 3.5 inches in diameter.



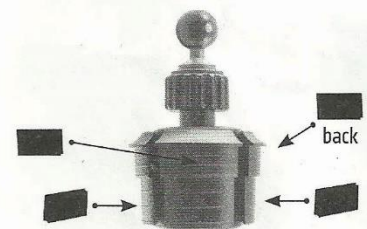
1 For oversized cup holders, add these optional self-adhesive side support pads (in conjunction with adjusting the cup holder mount base to its widest setting) by removing the adhesive backing and placing them on the sides of the cup holder pedestal base as needed.



2a Placement of the support pads will vary for commercial trucks that have various sizes and configurations of cup holders, including tiered or padded cup holders.



2b Alternate pad placement. **Note: Not recommended for adjustable "pop out" or retractable cup holders.**



Safety Precautions

Do not install Stone Mountain, Ltd. products over an air bag cover or within the air bag deployment zone. Stone Mountain, Ltd. assumes no responsibility of liability for injury or death as a result of vehicle crashes and / or air bag deployment.

Stone Mountain, Ltd. is not responsible for any damages caused to your vehicle, your device, or yourself due to the installation or use of this mounting pedestal.



Contact Us:

(540) 297-6434

info-us@stonemountainltd.com

www.stonemountainltd.com

Huddleston, VA 24104 USA