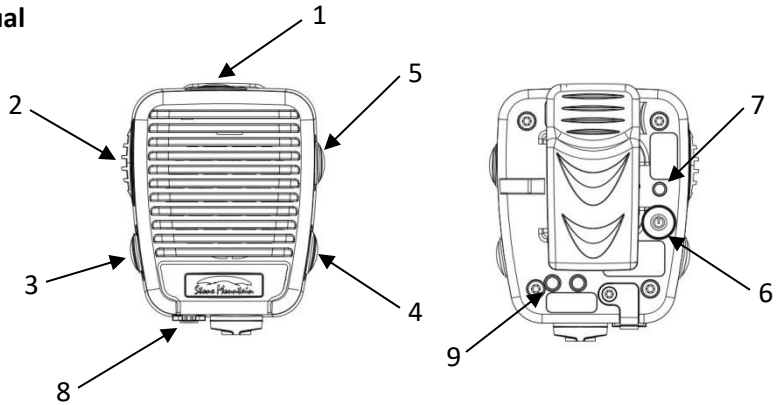


Stone Mountain Elite Speaker Microphone (SM) User Manual

Starting Out

1. Charge the SM for a full cycle (at least 6 hrs) prior to use. The LED will blink red every 3 seconds while charging.
2. Configure the SM for your PTT app (see instructions below).
3. Ensure the SM 3.5mm plug is clean and free of contaminants.
4. Fully insert and seat the 3.5mm male SM connector into the mating remote audio accessory port on the Device.



	Button	Function		Notes
1	SW1	Emergency	Standard	
2	SW2	PTT	Standard	
3	SW3	Volume Control	Standard	RampClik™ one touch 10 position
4	SW4	DSP Noise Reduction	Optional	ProClear™ DSP noise reduction system
5	SW5	Message Record/Store/Playback	Optional	CallCheck™ Rx Audio Record, Store & Playback System
6	SW6	PTT APP Configuration	Standard	
7		LED	Standard	
8		3.5mm Rx Audio Port	Standard	
9		TruDock™ Cradle Contacts	See Notes	TruDock™ remote charging comes standard. Optional HanzFree™ remote Rx, Tx & PTT functionality & accessories purchased separately.

Table 1

Configuration	# Beeps / Flashes	PTT APP's
ZZ	1	Factory Test
ZE	2	Aldio, Azetti, Genaker, Instavox, Talk-IP, Tassta, Team on the Run, Voxer, WeChat, WT Pushcom, Zello, etc. (Android & iOS)
SM	3	Stone Mountain proprietary (Android & iOS) Zello v4.42 & higher (Android only)
ES	4	ESChat (Android & iOS)
KA	5	Kodiak/Wave on Cloud (Android)
KI	6	Kodiak/Wave on Cloud (iOS)
WA	7	Wave (Android & iOS)
GR	8	Grouptalk (Android & iOS)
XX	9	Legacy/Conventional PTT (Android & iOS)
SE	10	Stone Mountain proprietary, includes emergency (Android & iOS)



Operating the Speaker Microphone

Setting/Changing PTT APP Configuration

Unless you purchased your SM factory pre-configured, you will need to one-time configure your SM for your applicable PTT app before using.

1. Ensure the SM 3.5mm plug is **not** installed in the Device.
2. Refer to **Table 1** for a list of available PTT apps.
3. Press SW6 for about 4 seconds to enter Configuration Mode. Release when you hear a “**booBEEP**”.
4. Next you will hear/see a series of beeps/LED lights that correspond to the PTT app that is presently active on the SM.
 - If the beep/lights(s) correspond to your PTT app, don't do anything. About 4 seconds after the last beep, you will hear a “**BEEboop**” – You have now exited Configuration Mode. You are ready to use your SM.
 - If the beep/lights(s) do not correspond to your PTT app, press SW6 a number of times equal to that shown in **Table 1** for your PTT app. Next you will hear/see the same number of beeps/lights from the RSM confirming your entry. About 4 seconds after the last beep, you will hear a “**BEEboop**” – You have now exited Confirmation Mode. You are ready to use your SM.

Transmitting Audio (Tx)

To transmit audio, depress SW2 and speak into the microphone opening near the top left side of the SM. Hold the SM about 6 to 8” from your mouth to avoid distortion. Release SW2 when finished transmitting.

Receiving Audio (Rx)

Incoming audio will automatically be received via the SM speaker.

Note: Some Devices automatically decrease volume by 50% for safety reasons when an accessory is attached. The User can manually adjust the volume control on the Device for desired volume level.

RampClik™ Volume Control

Receive audio volume is adjusted using SW3. Press the button and hold to increase volume level. Press and immediately release for each step decrease in volume level. An increasingly/decreasingly loud tone plays for each volume level during adjustment. There are 10 available volume levels.

Emergency/Man Down Alert

You may declare an emergency/man down condition by depressing SW1 if your PTT app & Device supports it. Check with your Service Provider, PTT app Provider and/or Device Provider to ensure this feature is supported.

Audio Accessory Interface

3.5mm SureSea™ accessory jack: This interface supports remote receive audio accessories, e.g. surveillance kits, external speaker, etc. The speaker in the SM is disabled when a receive audio accessory is connected to the audio accessory jack.

Keep the rubber connector cover inserted when an audio accessory is not attached. Note that only **Stone Mountain** audio accessories are guaranteed to function correctly with **Stone Mountain** SM products. Consult your **Stone Mountain Product Guide** for a complete list of available accessories or contact Customer Support at 540.297.6434 x200 with any inquiries.

TruDock™ Remote Charging & Optional HanzFree™ Rx, Tx & PTT

You can purchase **TruDock™** cradles and **HanzFree™** accessories that transform your SM into a 100% hands free charging and communication system. Remote charging is standard – Remote Rx, Tx and PTT is optional. Contact **Stone Mountain** for more information.

Charging

1. There is a low battery audible beep/red LED flash that occurs every thirty (30) minutes when the battery gets to 15% capacity. At this point, the unit should be recharged as soon as possible. Note, depending upon the amount of usage, the SM will continue to function for approximately one full normal business day when the first



low battery beep/LED occurs.

2. To recharge the unit, remove the protective rubber plug from the charging port on the SM cable. Plug the 5.5mm connector of the **Stone Mountain** approved charger into the cable charging port. Full charge takes between 5 to 6 hours assuming a completely discharged battery. The LED will blink red every 3 seconds while charging.
3. Replace the protective rubber plug after charging is complete.
4. The SM can also be charged in optional TruDock™ single bay, vehicle mount and gang chargers.

Optional ProClear™ Noise Reduction System

ProClear™ utilizes true DSP noise cancelling algorithms and a powerful processing engine to provide noise reduction in loud environments. Engage/disengage DSP via SW4:

- Press & release button - If you hear:
 - **booBEEP: ProClear is now turned on.**
 - **BEEboop: ProClear is now turned off.**
 - You can cycle **ProClear** on and off accordingly.

For maximum battery life, you may wish to use **ProClear** primarily during loud background noise conditions.

Optional CallCheck™ (CC) Receive Audio Record, Store and Playback System

Communicate with optimum efficiency and confidence using the patented **CallCheck™** feature.

To record:

- Quickly double-click SW5. Note, an Rx transmissions must have occurred prior to recording.
- Each new Rx transmission is stored in cache memory. As such, you can record anytime during or after the last Rx transmission and up to the next Rx transmission (double clicking SW5 will record the last Rx transmission). In either scenario, the entire Rx transmission will be recorded and stored.
- You will hear a high pitched "**beep**" after a successful record.
- You will hear a lower pitched "**boop**" after an unsuccessful record. An example of an unsuccessful recording attempt would be if you double-clicked (record) without receiving a new Rx transmission since the last stored transmission.
- Record time limit is about 2.5 minutes (2'30").
- The message will be stored until:
 - A new message is recorded and stored, which will record over the last message.
 - The SM battery loses power, i.e. needs to be recharged. In this case, the message will be deleted.

To playback:

- Single-click SW5.
- You can stop playback with a single-click.
- If you single-click again after stopping playback, playback will restart at the beginning of the message.
- If you are in playback and a Rx transmission is received, the playback function will terminate and the Rx transmission will come through the speaker. Playback can be resumed after the Rx transmission ends by a single click to SW5.

General Care & Maintenance

- Do not use solvents, abrasives or other cleaning solutions to clean your Speaker Microphone.
- Clean with mild soap and tap water.
- Do not insert objects into the speaker chamber or the microphone port, as this will adversely impact the audio quality and may result in subsequent water leakage.

Innovation... Quality... Passion

Designed, Assembled, Tested and Supported with Pride in the USA, at Stone Mountain we strive to provide our customers with innovative products of the highest quality, reliability and value. We welcome and appreciate your input - Feel free to contact us.